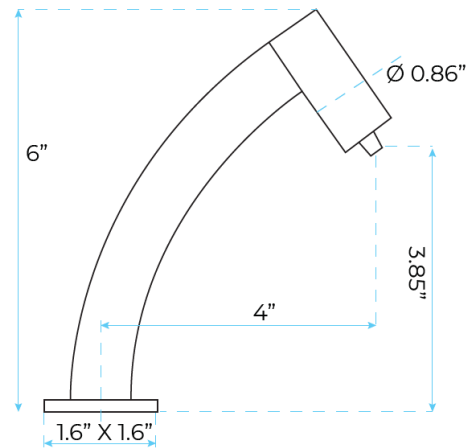


FONTANA HAND SANITIZER AUTOMATIC SOAP DISPENSER - DECK MOUNTED COMMERCIAL SPECS



SPECS:

- Product Type: Commercial
- Main Construction Material: Brass
- Mount Type: Deck
- Handle Type: Infra-Red
- Power supply: AC 110-240V or DC 6V
- Batteries Required: 4 AA Batteries (not supplied)
- Power consumption: Standby 0.4W(≤ 3W); Operation 1.2W(≤5W)
- Bottle volume: 1000mL
- Length of sensing cable: 0.85m~1.6m
- Sensing distance:
- Applicable soap viscosity: 1~500mPa.S
- Foam soap volume: 0.5~25mL adjustable
- Soap volume: 0.5~3mL adjustable

